

EXP15

1500kg Automatic Pallet Truck

Pure Simplicity Mover



- **Simple Operation:** Anyone can learn it in 2 minutes with just 6 buttons.
- **Simple Setup:** No WiFi or complex systems needed. True plug-and-play for instant use anywhere.
- **Simple Sales Process:** Affordable and accessible solution for businesses of all sizes starting automation.
- **Simple Ownership:** No service or maintenance engineers required.

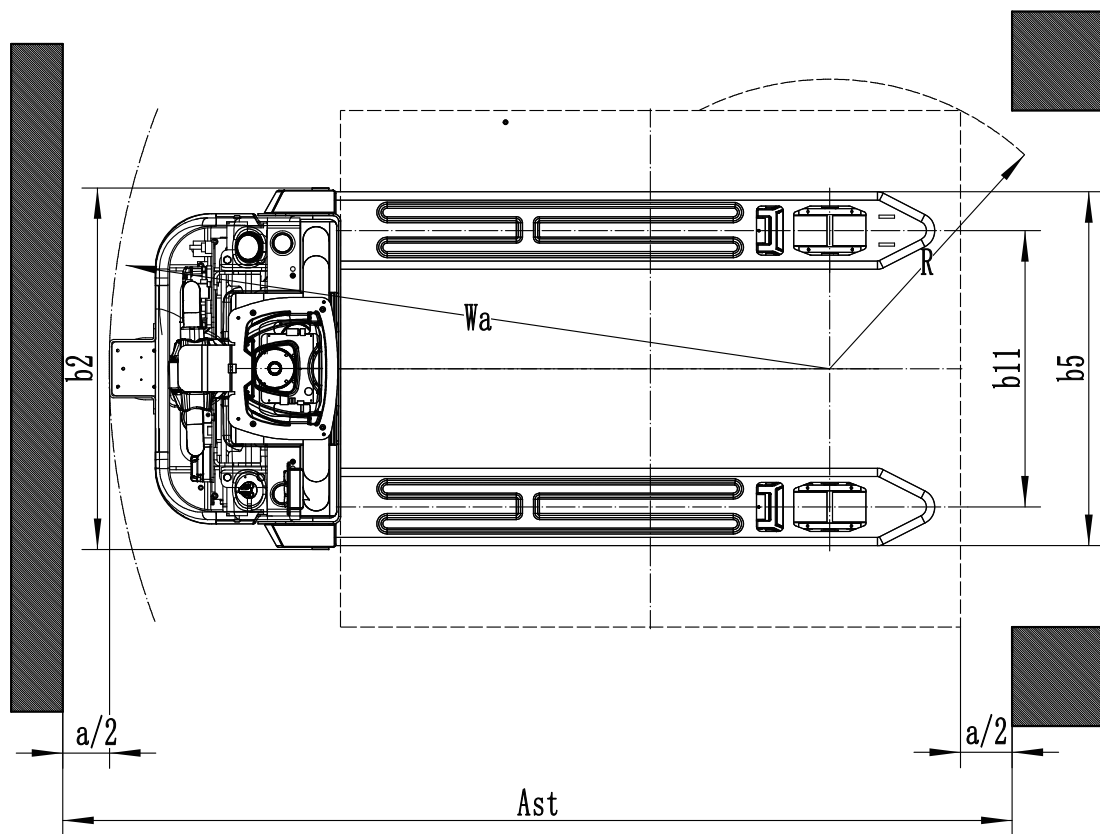
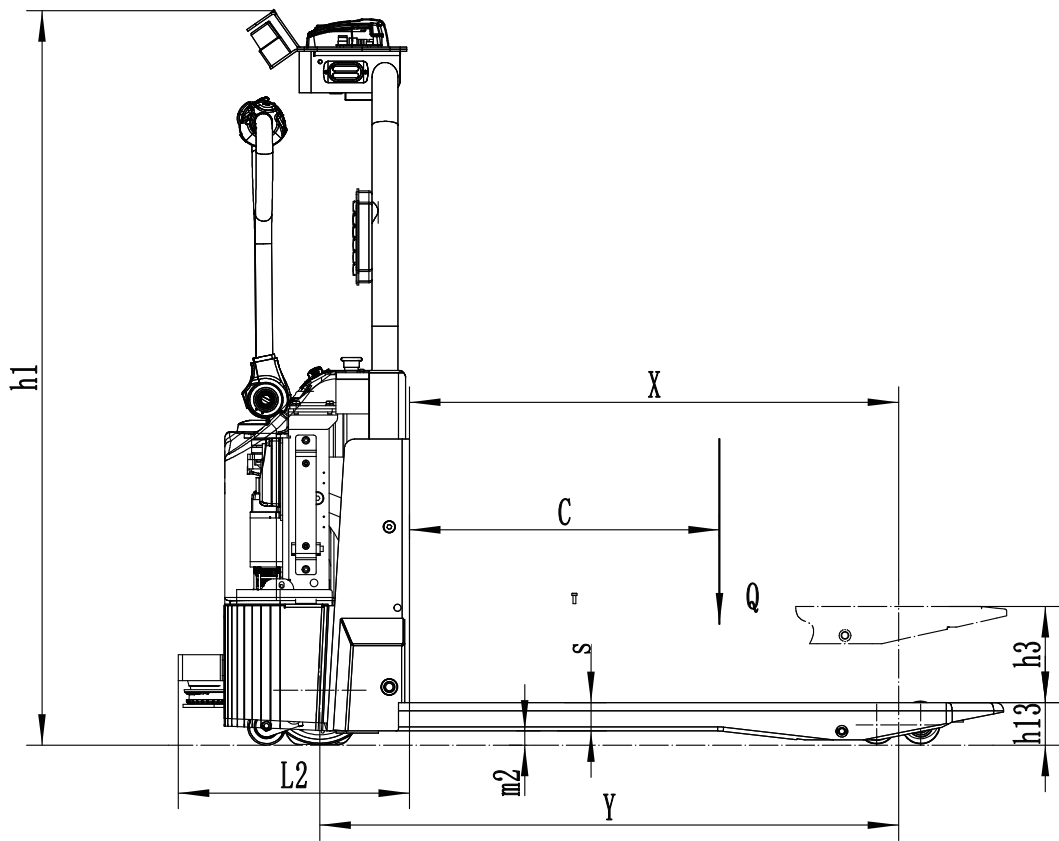


Manufacturer			EP
Model designation			EXP15
Drive			Electric
Load capacity	Q	kg	1500
Load center distance	c	mm	600
Service weight		kg	180
Overall width	b1/b2	mm	700
Fork dimensions	s/e/l	mm	55/150/1150
Turning radius	Wa	mm	1380
Max. gradeability, laden/unladen		%	5/10
Travel speed, laden/unladen		m/s	1.1/1.25
Battery voltage/nominal capacity		V/Ah	24/60
Safety protection			180° Lidar Emergency stop button
Positioning			2D visual navigation
Parking accuracy		mm	±20
Navigation accuracy		mm	±20

1500kg Automatic Pallet Truck EXP15

Distinguishing mark	1.1	Manufacturer			EP
	1.2	Model designation			EXP15
	1.3	Drive			Electric
	1.4	Operator type			Pedestrian
	1.5	Load capacity	Q	kg	1500
	1.6	Load center distance	c	mm	600
	1.8	Load distance, centre of drive axle to fork	x	mm	950
	1.9	Wheelbase	y	mm	1120
	Service weight	2.1	Service weight		kg
2.2		Axle loading, laden front/rear		kg	1090/590
2.3		Axle loading, unladen front/rear		kg	30/150
Dimensions	4.4	Lift height	h3	mm	90
	4.15	Lowered height	h13	mm	82
	4.19	Overall length	l1	mm	1600
	4.2	Length to face of forks	l2	mm	450
	4.21	Overall width	b1/b2	mm	700
	4.22	Fork dimensions	s/e/l	mm	55/150/1150
	4.25	Width over the forks	b5	mm	560/685
	4.32	Ground clearance, center of wheelbase		mm	20
	4.34.1	Aisle width for pallets 1000×1200 crossways	Ast	mm	1840
	4.35	Turning radius	Wa	mm	1380
Performance data	5.1	Travel speed, laden/unladen		m/s	1.1/1.25
	5.2	Lifting speed, laden/unladen		m/s	0.025/0.027
	5.3	Lowering speed, laden/unladen		m/s	0.058/0.046
	5.8	Max. gradeability, laden/unladen		%	5/10
	5.10	Service brake			Electromagnetic
Electric-engine	6.1	Drive motor rating S2 60 min		kW	0.9
	6.2	Lift motor rating at S3 15%		kW	0.8
	6.4	Battery voltage/nominal capacity		V/Ah	24/60
	6.5	Battery weight		kg	14
Addition data	8.1	Type of drive control			AC
	10.5	Steering design			Electric
	10.7	Sound pressure level at the driver's ear		dB(A)	<74
	10.11	Indoor/Outdoor			Indoor
	10.12	Safety notification			Horn
	10.13	Safety protection			180° Lidar Emergency stop button
	10.14	Positioning			2D visual navigation
	10.15	Parking accuracy		mm	±20
	10.16	Navigation accuracy		mm	±20
10.17	Battery type			Li-ion battery	

If there are improvements of technical parameters or configurations, no further notice will be given.
The diagram shown may contain non-standard configurations.



Option:

OPTIONS	EXP15
Fork length	○1000●1150○1220○1350○1400○1500
Fork width	●685○560
Lowered height	●82
Load wheel type	●Double○Single
Load wheel material	●PU
Drive wheel material	●PU
Battery capacity	●60AH
Charger	●24V-20A External
Battery indicator	●With hourmeter
Castor wheels	●Yes and not customized
Vertical handle: Creep speed	●Yes and not customized
Drive aseembly	●Large wheel unit
Tiller head	●Double-grip large tiller
Note: ●Standard ○Optional -Inconformity	